



## Fiber-Coupled Laser

### *Monocrom @FLEX Direct Diode*

#### Features:

- Clamping™ Patented Technology (Solder free mounting of laser bars)
- Long lifetime
- High reliability
- Low thermal resistances
- Wide storage temperature - 40° C to + 85° C
- No SMILE effect

#### Suitable for:

- Marking
- Polymer welding
- Direct Ho pumping
- Medical
- Research

Monocrom @FLEX Direct Diode

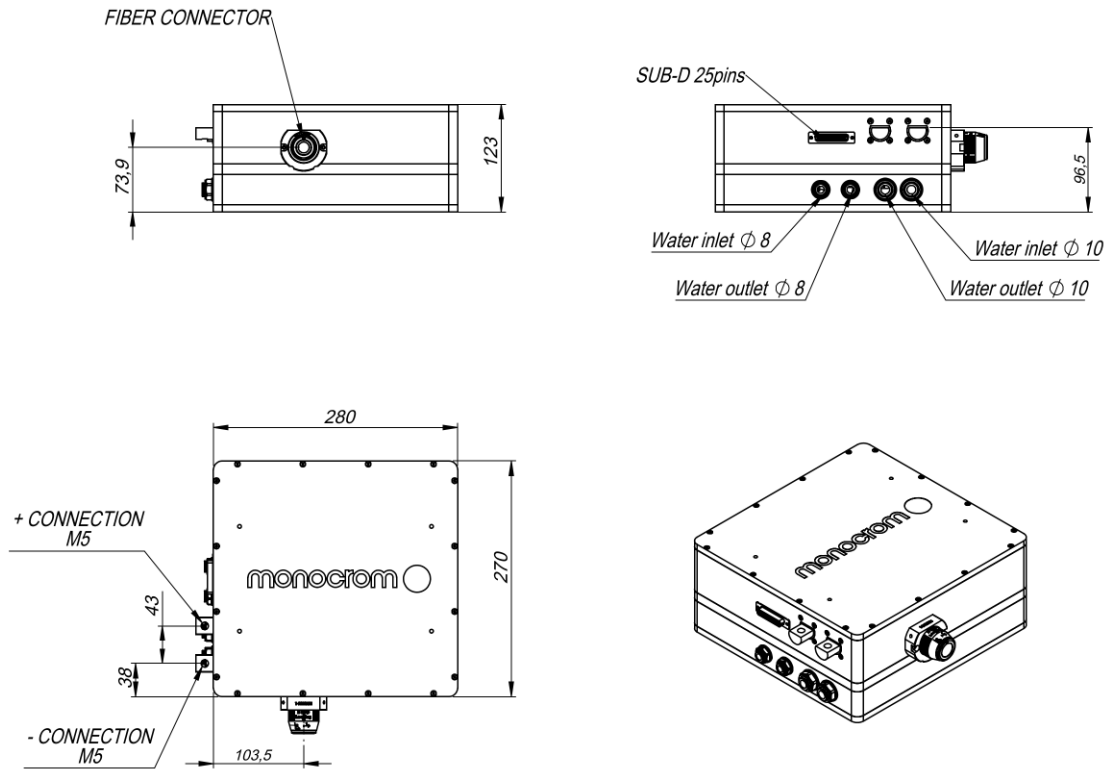
Product specification are subject to change without notice.  
For complete details, please contact your local MONOCROM Representative.

UNE EN ISO 9001:2015

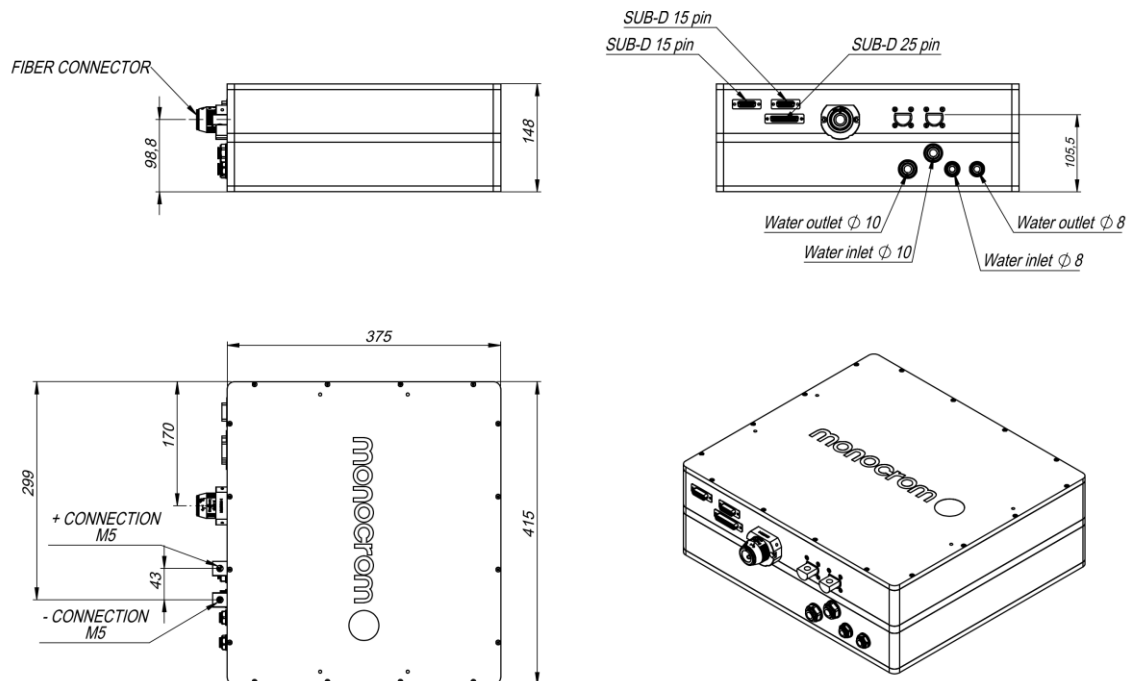
**MONOCROM S.L.**

C/Vilanoveta 6  
08800 Vilanova i la Geltrú (Barcelona)  
Spain  
T. +34 938 149 450  
F. +34 938 143 767  
E. sales@monocrom.com  
www.monocrom.com

## Monocrom @FLEX Direct Diode - @FLEX-6



## Monocrom @FLEX Direct Diode - @FLEX-10



Monocrom @FLEX Direct Diode

Product specification are subject to change without notice.  
For complete details, please contact your local MONOCROM Representative.

UNE EN ISO 9001:2015

**MONOCROM S.L.**

C/Vilanoveta 6  
08800 Vilanova i la Geltrú (Barcelona)  
Spain  
T. +34 938 149 450  
F. +34 938 143 767  
E. sales@monocrom.com  
www.monocrom.com

## Monocrom @FLEX Direct Diode | TECH Specifications

Laser Parameters <sup>(1,2,3,4)</sup>	@FLEX-6	@FLEX-10	@FLEX-6	@FLEX-10
Wavelength <sup>(5)</sup> [nm]	1320		1470	
Linewidth <sup>(6)</sup> [nm]		15-19		
Optical power (unpolarized) [W]	75	125	75	125
Optical power (linearly polarized) [W]	65	110	65	110
Coupling efficiency of unpol. light to 400 / 200 µm fiber		> 90% / > 85%		
Repetition rate <sup>(7)</sup>		CW – 10 kHz		
Pulse width <sup>(7)</sup>		50 µs – CW		
Power stability		< 1% @ 8 h		
Pulse to pulse stability		< 1% rms		
<b>Optics</b>				
Operating voltage <sup>(8)</sup> [V]	< 6	< 11	< 6	< 11
Threshold current [A]	< 10		< 15	
Operating current [A]	< 55		< 105	
Divergence without fiber <sup>(9)</sup> [mrad]		10 (FA) / 15 (SA)		
Beam size without fiber [mm × mm]		12 × 6		
Fiber connector type <sup>(10)</sup>		HP-SMA-905   D80   QBH		
Beam quality BPP <sup>(11)</sup> @ 200 µm [mm mrad]		23		
Beam quality BPP <sup>(11)</sup> @ 400 µm [mm mrad]		44		
Pointing stability @ fixed power [µrad]		± 50		
<b>Operating Parameters<sup>(12)</sup></b>				
Coolant flow [l/min]	5	10	5	10
Coolant pressure [bar]		< 3.5 bar		
Coolant temperature [°C]		20 – 25		
Recommended coolant		90% DI water + 10% ethylene glycol		
Warm up time [min]		< 2		
Operating temperature [°C]		non-condensing – 55		
<b>Body</b>				
Electrical connections		2× SUB-D-25		
Driver electronics		external 19-inch rack mount		
Weight [kg]	< 15	< 25	< 15	< 25
Laser head dimensions (L × W × H) [mm <sup>3</sup> ]	280× 270× 123	415× 375× 148	280× 270× 123	415× 375× 148
Laser class product (EN-60825)		4		
Expected lifetime [h]		20000		

Monocrom @FLEX Direct Diode

Product specification are subject to change without notice.  
For complete details, please contact your local MONOCROM Representative.

UNE EN ISO 9001:2015

**MONOCROM S.L.**

C/Vilanoveta 6  
08800 Vilanova i la Geltrú (Barcelona)  
Spain  
T. +34 938 149 450  
F. +34 938 143 767  
E. sales@monocrom.com  
www.monocrom.com

1. This is a preliminary specification sheet; validation of specification is in process.
2. If any other requirements are needed, please contact us.
3. Specifications at 20 °C, at the beginning of the lifetime.
4. Specifications are subjected to chips availability.
5. Other centre wavelengths on request. Everything between 1900 nm and 2400 nm will have very similar properties.
6. Measured at FWHM.
7. Values depend on power supply and driver electronics chosen.
8. Voltage from the power supply must be higher, as due to high current there will be a voltage drop in the cables.
9. Measured at FW95% energy.
10. Other fiber connectors available on request.
11. Determined by taking  $1\sigma$  values and under assumption of a NA = 0.22 fiber.
12. Values related to coolant properties are recommendations. External chiller is needed.

Monocrom @FLEX Direct Diode

Product specification are subject to change without notice.  
For complete details, please contact your local MONOCROM  
Representative.

**UNE EN ISO 9001:2015**

**MONOCROM S.L.**

C/Vilanoveta 6  
08800 Vilanova i la Geltrú (Barcelona)  
Spain  
T. +34 938 149 450  
F. +34 938 143 767  
E. sales@monocrom.com  
[www.monocrom.com](http://www.monocrom.com)