



HHL Laser Diode Package

HHL1470

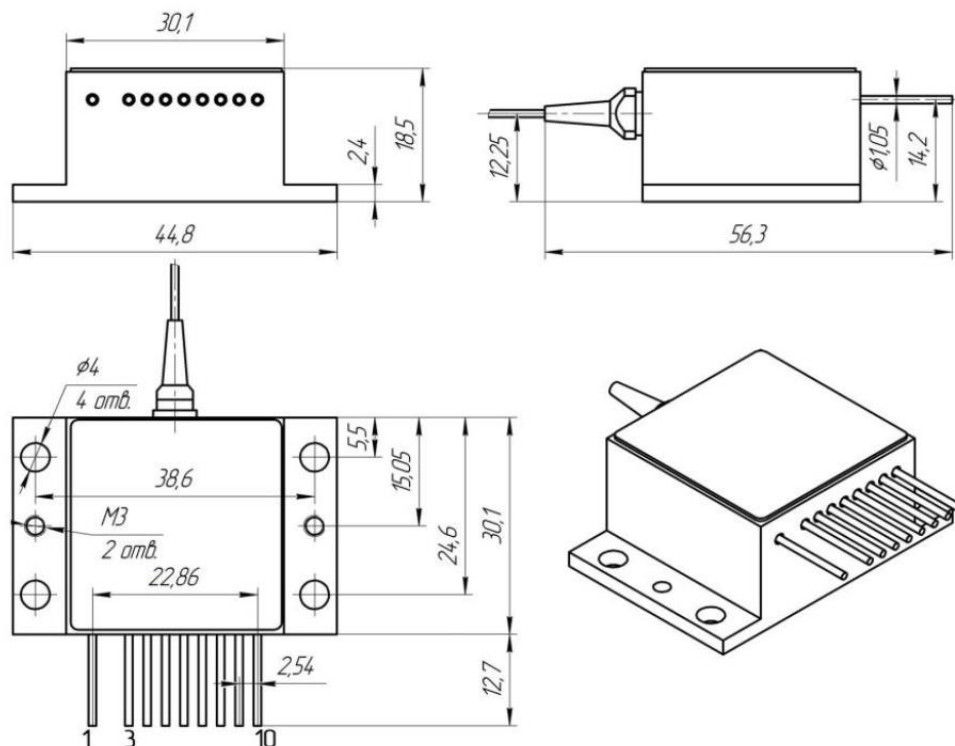
Features:

- Long lifetime
- High reliability
- Small Form factor
- Full FFF- Form, Fit, Function
- Low thermal resistances
- Low pitch

Suitable for:

- Pumping
- Medical applications
- Flash LiDAR
- Plastic welding

HHL1470 | Outline



2ENHHLFM90-003

Product specification are subject to change without notice.
For complete details, please contact your local MONOCROM sales representative.

UNE EN ISO 9001:2015

MONOCROM S.L.

C/Vilanoveta 6
08800 Vilanova i la Geltrú (Barcelona)
Spain
T. +34 938 149 450
F. +34 938 143 767
E. sales@monocrom.com
www.monocrom.com

HHL1470I TECH Specifications

Laser	
Operating optical power (P_{op}) [W]	2.0
Operating current (I_{op}) [A]	5.83
Threshold current (I_{th}) [A]	0.77
Operating voltage [V]	1.20
Peak wavelength at P_{op} [nm]	1478
Spectra width, FWHM [nm]	6
Operating mode	CW
Operating temperature [°C]	25
Feedback Photodiode	
Feedback Photodiode current at P_{op} [μ A]	136
Reverse voltage [V]	9
Thermoelectric cooler (TEC)	
TEC maximum current [A]	5
TEC maximum voltage [V]	3.8
Thermistor	
Resistance [$k\Omega$]	10
Fiber	
Length (m)	0.1 or more
Numerical aperture	0.22
Core diameter [μ m]	200/225
External diameter [mm]	0.8

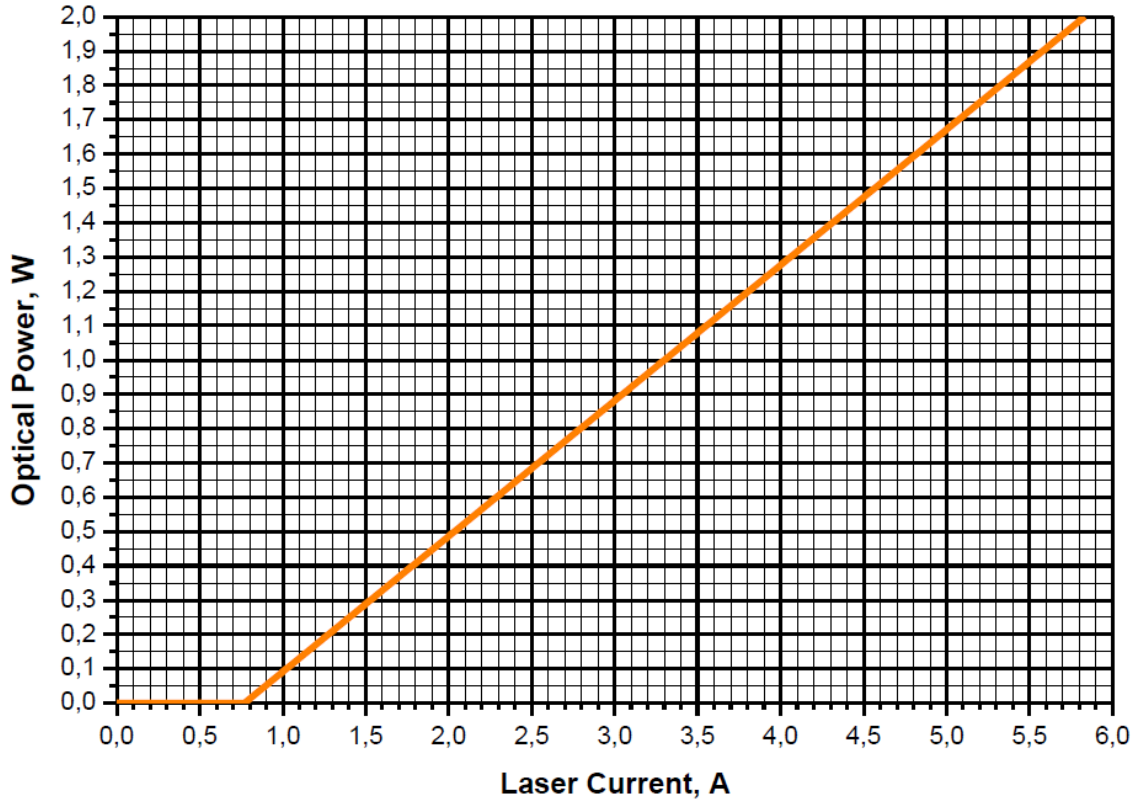
2ENHHLFM90-003

Product specification are subject to change without notice.
For complete details, please contact your local MONOCROM sales representative.

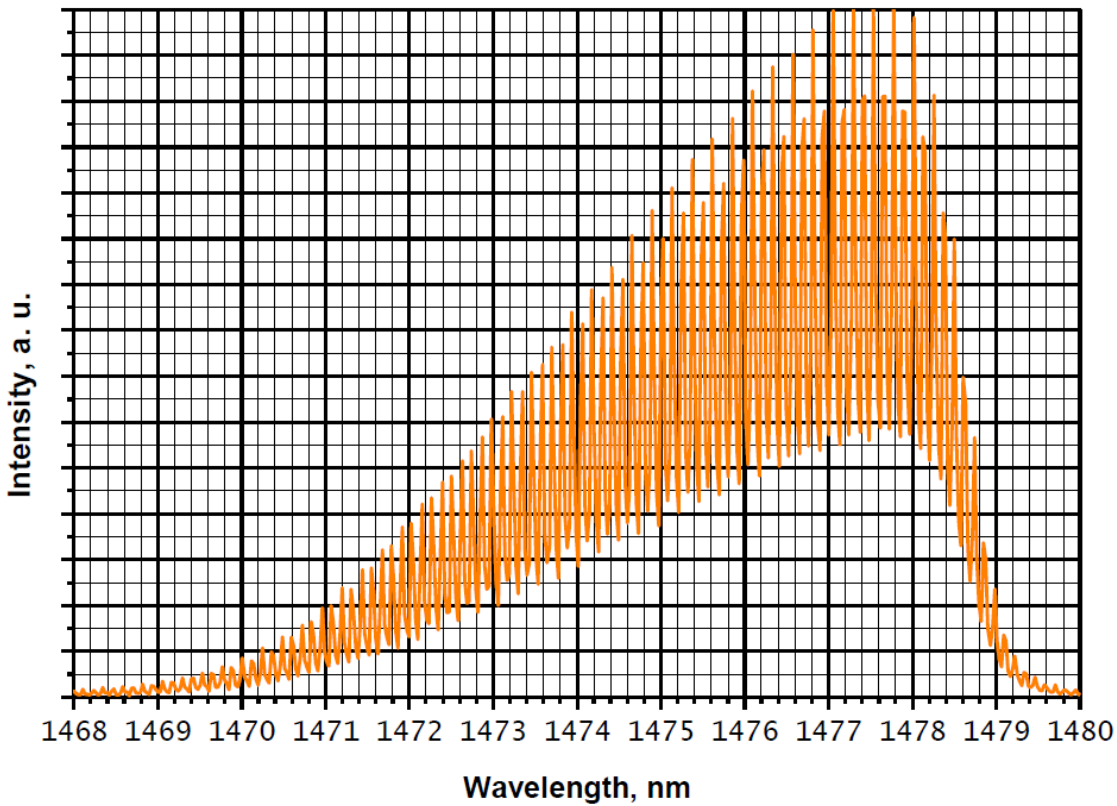
UNE EN ISO 9001:2015

MONOCROM S.L.
C/Vilanoveta 6
08800 Vilanova i la Geltrú (Barcelona)
Spain
T. +34 938 149 450
F. +34 938 143 767
E. sales@monocrom.com
www.monocrom.com

HHL1470 | Optical power vs. Current



HHL1470 | Spectrum View



2ENHHLFM90-003

Product specification are subject to change without notice.
For complete details, please contact your local MONOCROM sales representative.

UNE EN ISO 9001:2015

MONOCROM S.L.
C/Vilanoveta 6
08800 Vilanova i la Geltrú (Barcelona)
Spain
T. +34 938 149 450
F. +34 938 143 767
E. sales@monocrom.com
www.monocrom.com

HHL1470I Pin description

1-TEC (-)
2-
3-
4-Laser Anode (+)
5-Thermistor (2)
6-Thermistor (1)
7-Laser Cathode (-)
8-Monitor PhD Anode (+)
9-Monitor PhD Cathode (-)
10-TEC (+)

2ENHHLFM90-003

Product specification are subject to change without notice.
For complete details, please contact your local MONOCROM
sales representative.

UNE EN ISO 9001:2015

MONOCROM S.L.
C/Vilanoveta 6
08800 Vilanova i la Geltrú (Barcelona)
Spain
T. +34 938 149 450
F. +34 938 143 767
E. sales@monocrom.com
www.monocrom.com